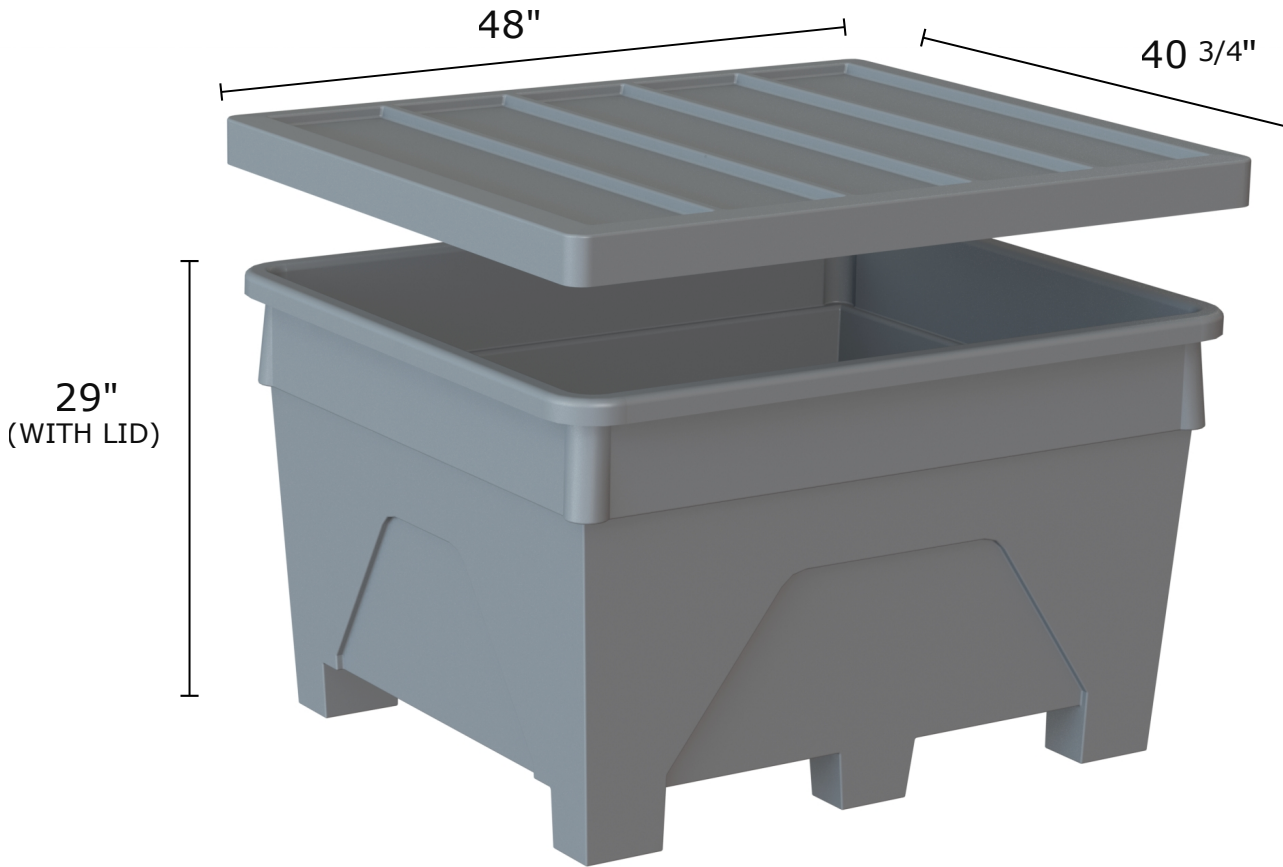




FLEXAHOPPER
PLASTICS LTD



SINGLE WALL TOTE



- **IMPACT RESISTANT ROTO-MOULDED CONSTRUCTION**
- **GOVERNMENT APPROVED FOOD GRADE POLYETHYLENE**
- **4-WAY FORKLIFT ACCESS**
- **85% NESTABLE**
- **7 INTEGRATED LEGS**
- **LARGE ANTI-JAMMING LUGS FOR EASE OF SEPARATION**
- **STACKABLE (WITH LID)**
- **STACKABLE WITH MOST NESTABLES**
- **CUSTOM NAME PLATES AND DECALS AVAILABLE**
- **CUSTOM COLOURS AVAILABLE**

FLEXAHOPPER PLASTICS

2530 39th STREET NORTH
LETHBRIDGE, ALBERTA
CANADA T1H 5J2
PHONE: (403) 328-8146
FAX: (403) 328-8476
WWW.FLEXAHOPPER.COM
INFO@FLEXAHOPPER.COM

DIMENSIONS (LxWxH)

48" x 40^{3/4}" x 29"

CAPACITY

18 CUBIC FEET
112 IMP GAL
135 US GAL
509 LITRES

ALL DIMENSIONS ± 3%