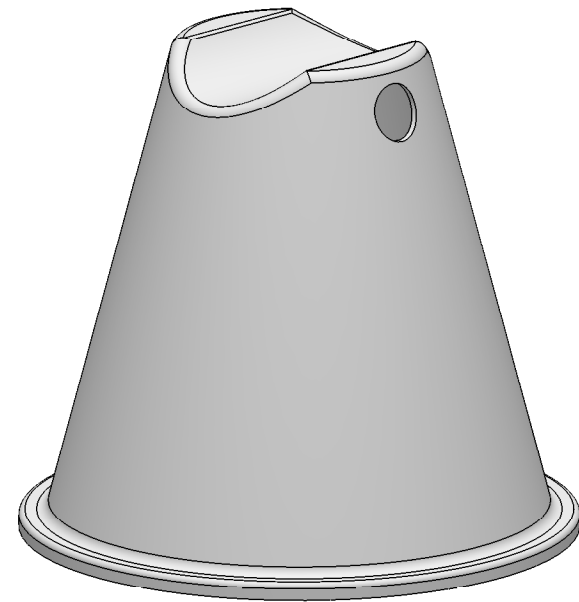
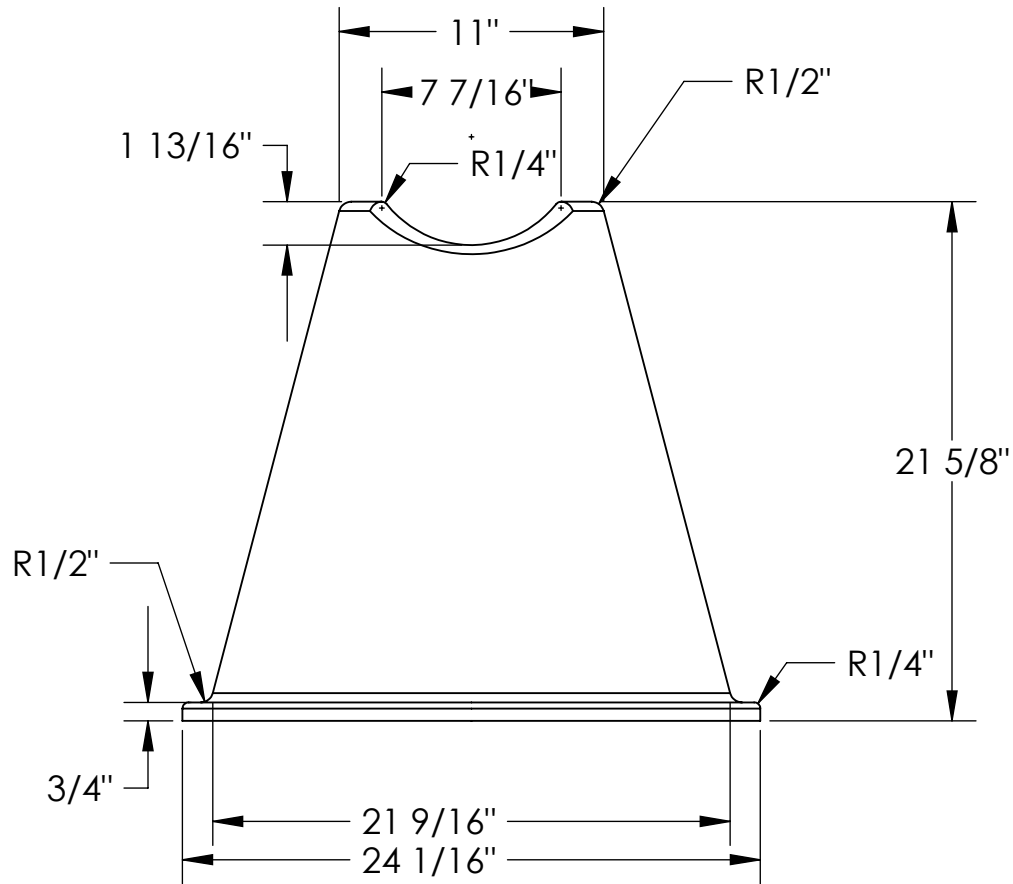


21" Pipe Stand



UNLESS OTHERWISE SPECIFIED DIMENSIONS ARE IN INCHES.

TOLERANCES:
FRACTIONS $\pm 1/32$
DECIMALS $\pm .005$
ANGLES $\pm 1^\circ$

THE INFORMATION CONTAINED IN THIS DRAWING IS THE SOLE PROPERTY OF FLEXAHOPPER PLASTICS LTD. ANY REPRODUCTION IN PART OR WHOLE WITHOUT THE WRITTEN PERMISSION OF FLEXAHOPPER PLASTICS LTD IS PROHIBITED.



| | | | | | | | |
|--|---|---|--------------------------------------|--------------|-----------|---|-----------|
| WEIGHT: 00 lbs. | | SCALE: 1:8 | | SHEET 1 OF 1 | | DESCRIPTION 21" PIPE STAND MOLD DRAWING | |
| MATERIAL: MDPE-L No MDPE-H No OTHER: -- | FINISH: IRON SHOT No ROUGH SANDBLAST No SMOOTH Yes | CHECKED BY: -- DATE: MTH DY/YR | DRAWN BY: SV DATE: 02/16/05 | | SIZE A | PART NO. | REV. 0 |