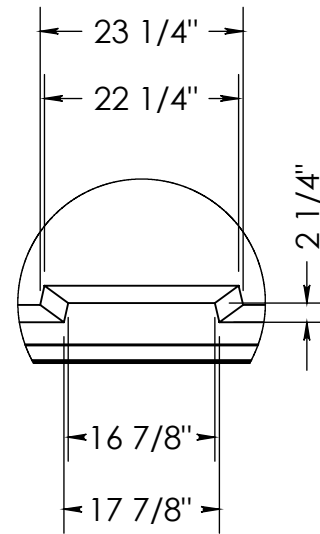
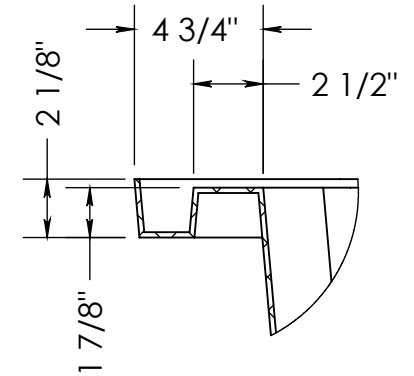


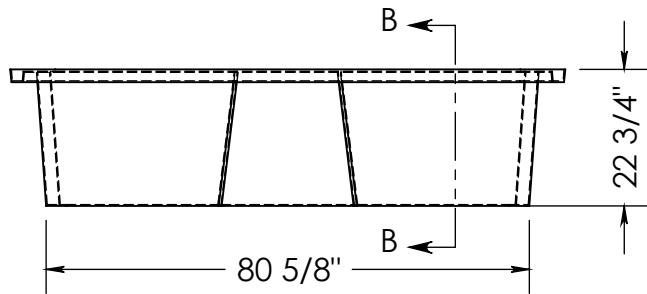
**TOP VIEW**



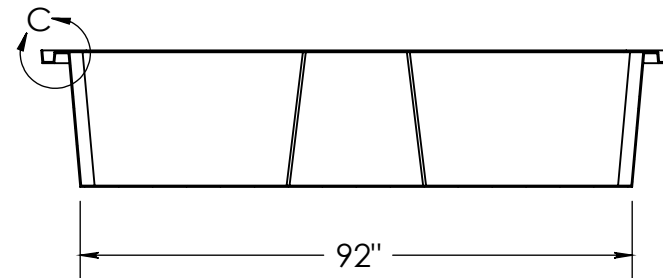
**DETAIL A**



**DETAIL C**



**SIDE VIEW**



**SECTION B-B**

**575 Gal Spill Tray**

Containment Trays

**DRAWN:** 17/05/2011 **BY:** ML **SCALE:** 1:32 **SHEET:** 1 of 1

THE INFORMATION CONTAINED IN THIS DRAWING IS THE SOLE PROPERTY OF FLEXHOPPER PLASTICS LTD. ANY REPRODUCTION IN PART OR WHOLE WITHOUT THE WRITTEN PERMISSION OF FLEXHOPPER PLASTICS LTD IS PROHIBITED.

**CAPACITY**  
 Imp Gal 587  
 US Gal 705  
 Litres 2669

