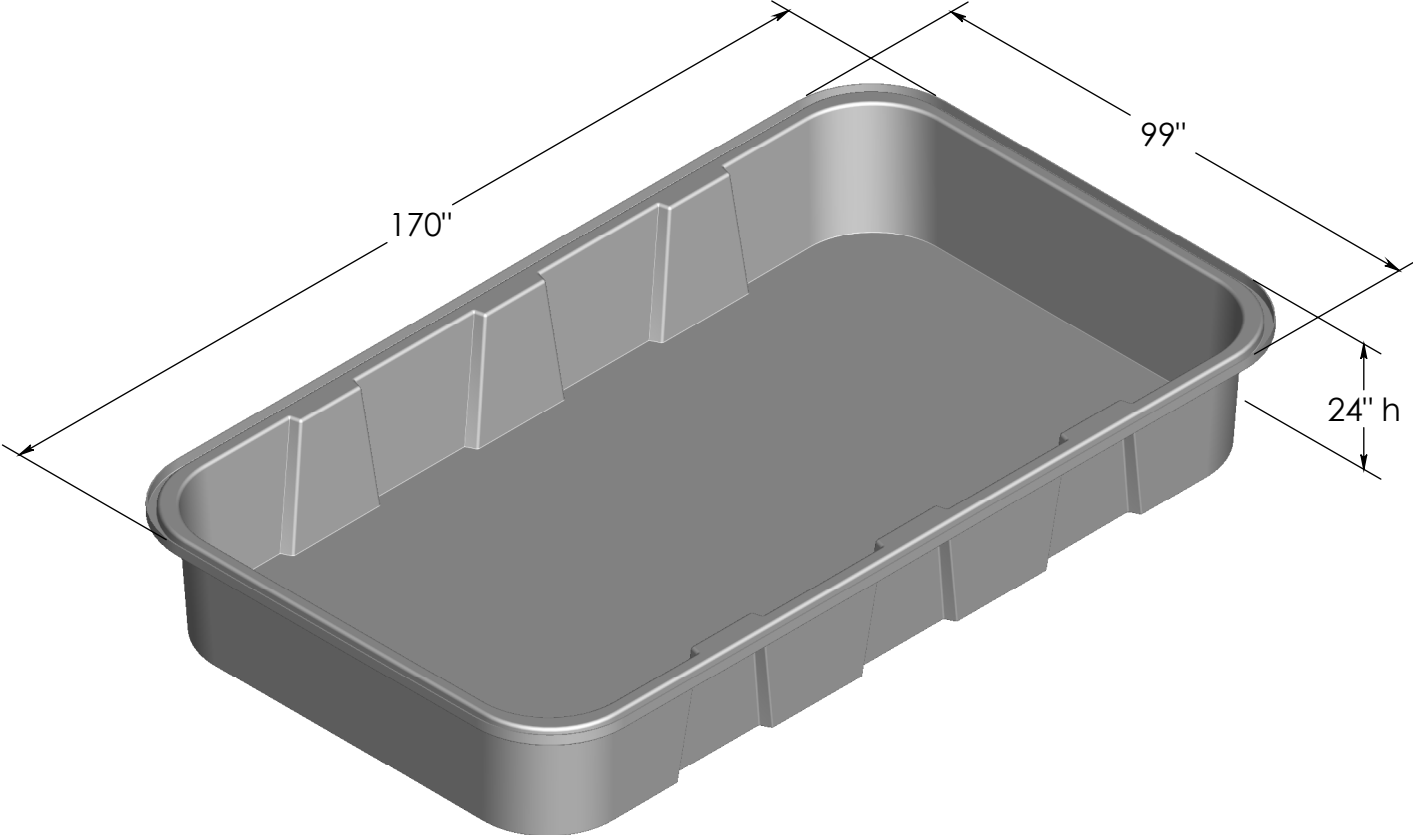


# 1250 Gal Spill Tray



<b>Imp Gal</b>	1 250
<b>Litres</b>	5 682
<b>US Gal</b>	1 500

Shrinkage: 3% / All dimensions are ±1



**FLEXAHOPPER PLASTICS LTD**  
 2530 39th ST N, Lethbridge Alberta CANADA T1H 5J2  
 Toll Free: 888-328-8176 Tel: 403-328-8146 Fax: 403-328-8476  
 Email: [email@flexahopper.com](mailto:email@flexahopper.com)  
[www.flexahopper.com](http://www.flexahopper.com)