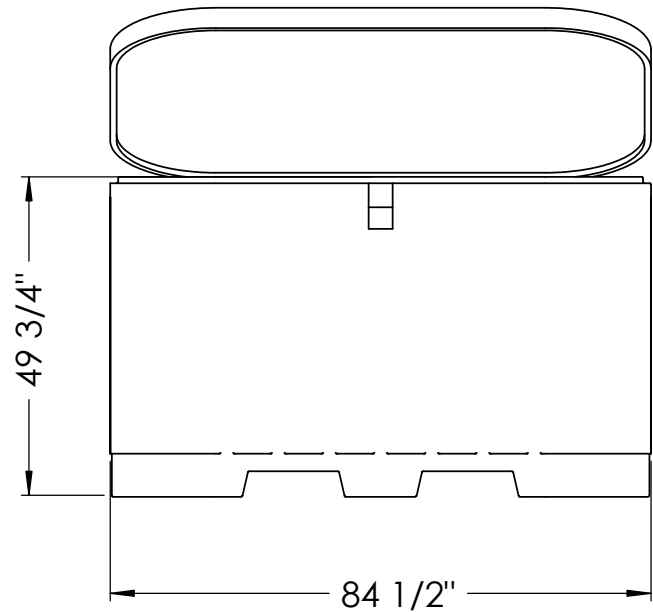
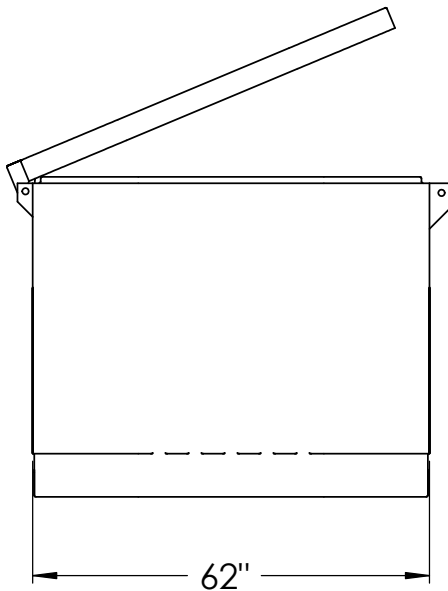
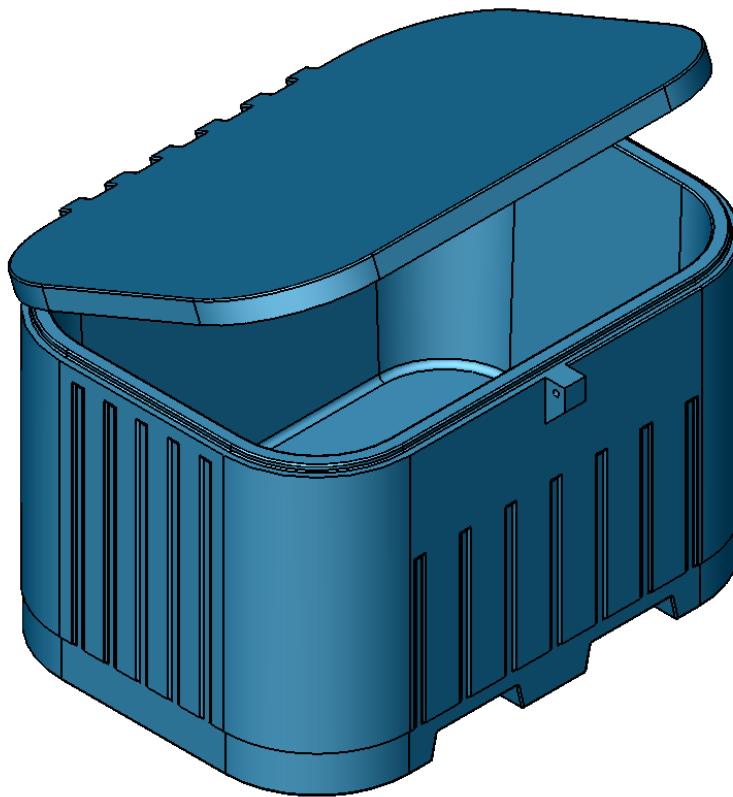


# 3 Cubic Meter Insultainer



<b>Imp Gal</b>	616
<b>Litres</b>	2800
<b>US Gal</b>	740



2530-39th Street N.  
Lethbridge, AB T1H 5J2

**FLEXAHOPPER PLASTICS LTD**

Shrinkage: 3% / All dimensions are  $\pm 1$