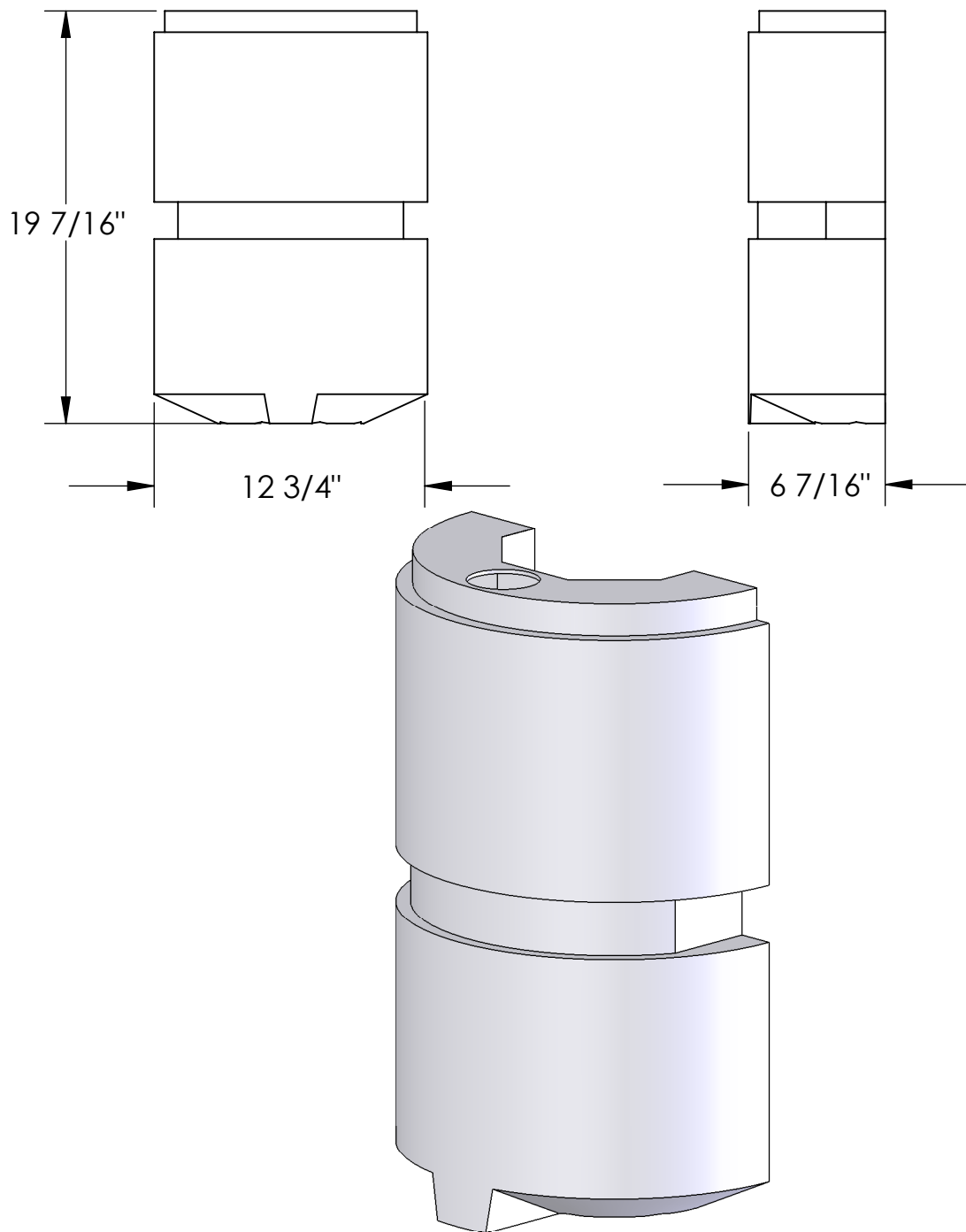


# Street Lamp Waterer

REV.

P0



Imp Gal	2.7
Litres	12.4
US Gal	3.3

Shrinkage: 3% / All dimensions are  $\pm 1$



2530-39th Street N.  
Lethbridge, AB T1H 5J2

**FLEXAHOPPER PLASTICS LTD**