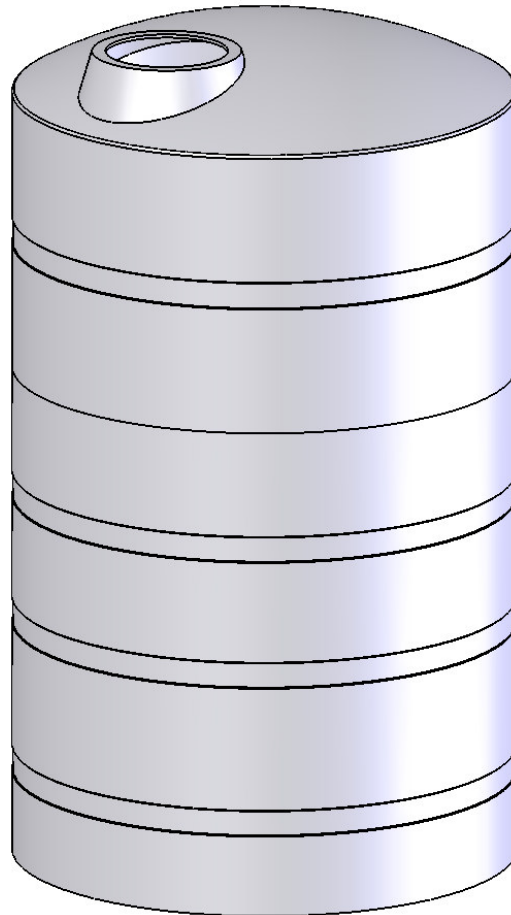
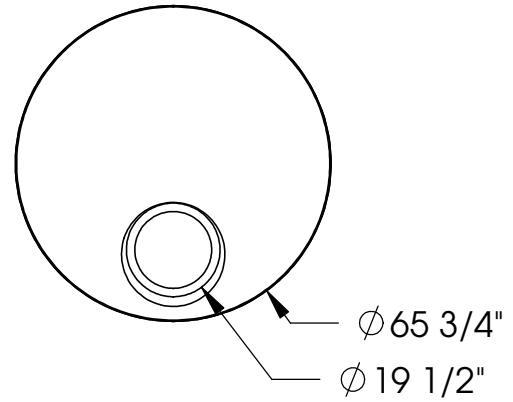
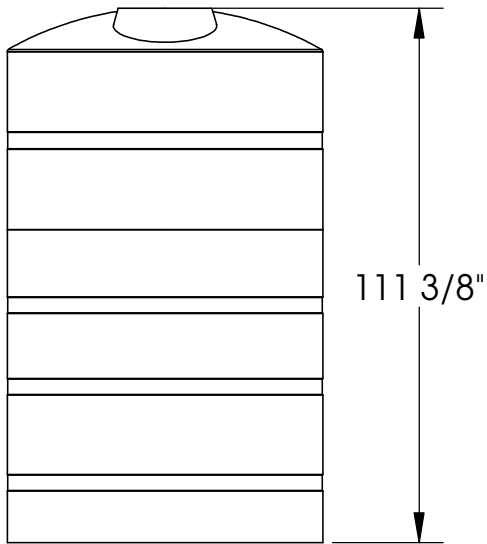


1275 IMP GAL VCT

REV.
P0



Imp Gal	1295
Litres	5893
US Gal	1556

Shrinkage: 3% / All dimensions are ± 1



2530-39th Street N.
Lethbridge, AB T1H 5J2

FLEXAHOPPER PLASTICS LTD