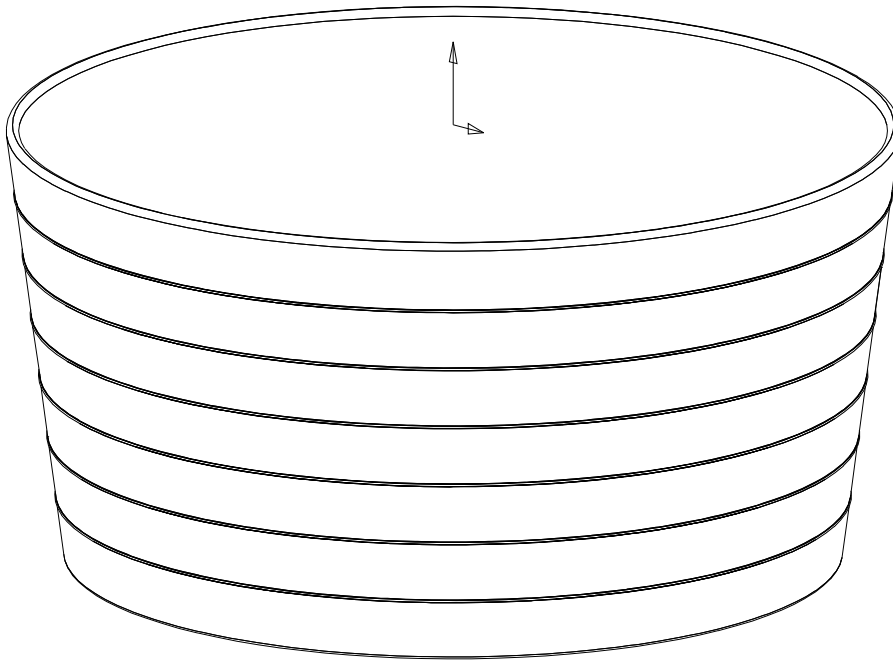
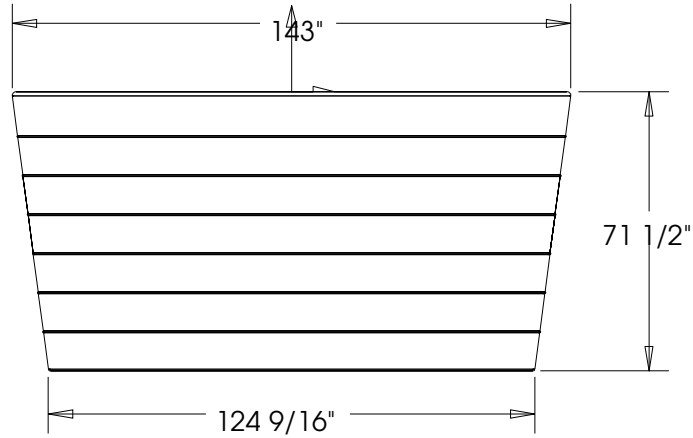


4200 US Gal. Dog Dish

REV.
P0



2530-39th Street N.
Lethbridge, AB T1H 5J2

FLEXAHOPPER PLASTICS LTD

Shrinkage: 3% / All dimensions are ± 1