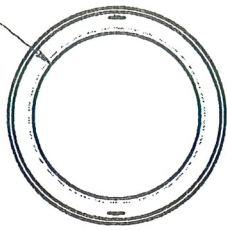
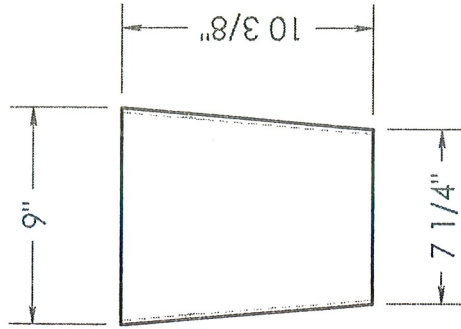


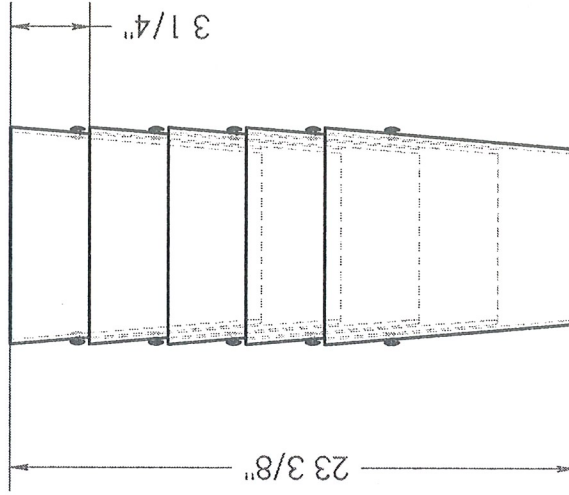
Ø 6 7/8"
(INSIDE DIA.)



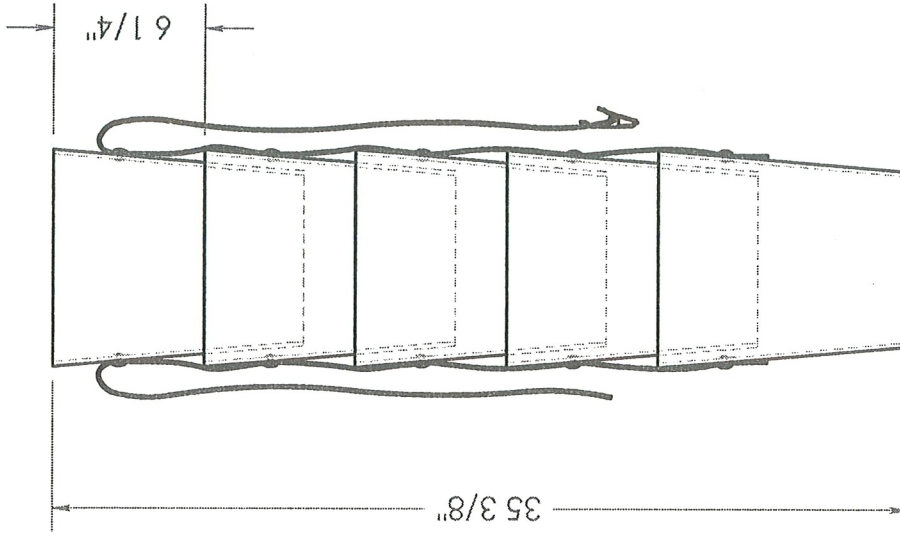
IOP



SIDE



COLLAPSED



EXTENDED

6-8" Round Down Spout

Downspouts_Drillfills

DRAWN: 7/11/02 BY: ML SCALE: 1:8 SHEET: 1 of 1

THE INFORMATION CONTAINED IN THIS DRAWING IS THE SOLE PROPERTY OF FLEXAHOPPER PLASTICS LTD. ANY REPRODUCTION IN PART OR WHOLE WITHOUT THE WRITTEN PERMISSION OF FLEXAHOPPER PLASTICS LTD IS PROHIBITED.



FLEXAHOPPER PLASTICS LTD