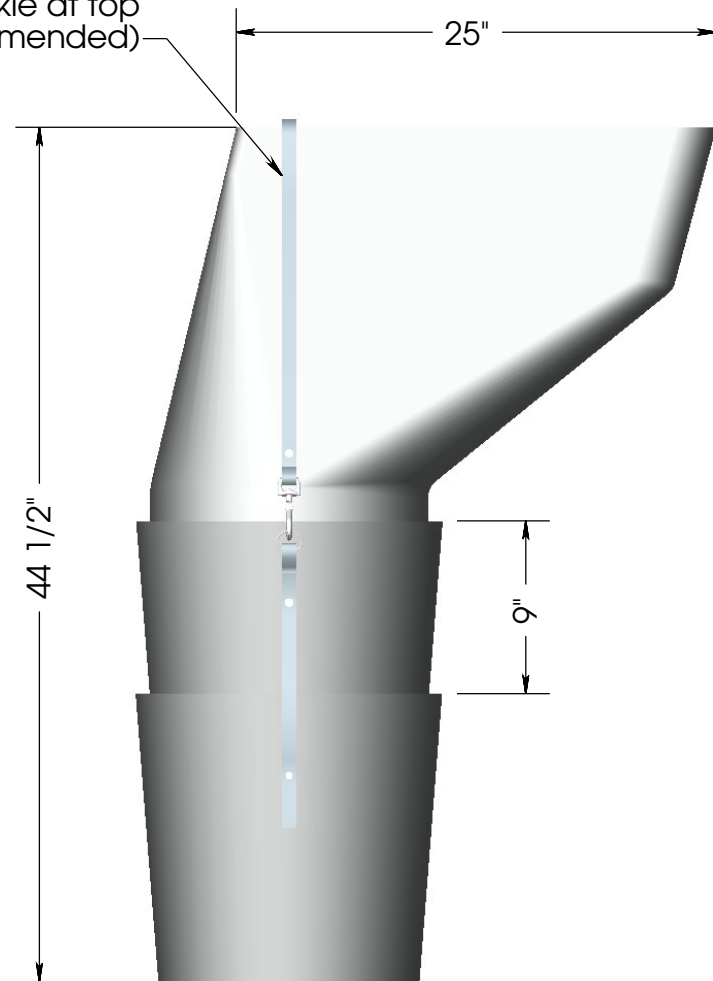


**FRONT VIEW**



**SIDE VIEW**

NOTE: Any modifications such as cut-outs and bolt holes can be done with standard wood-working tools or knife blade. If there are any questions please call our customer support office at 1-888-328-8176.

**Combine Spout Assembly**

**DRAWN:** 2/21/2007 **BY:** ML **SCALE:** 1:10 **SHEET:** 1 of 1

THE INFORMATION CONTAINED IN THIS DRAWING IS THE SOLE PROPERTY OF FLEXHOPPER PLASTICS LTD. ANY REPRODUCTION IN PART OR WHOLE WITHOUT THE WRITTEN PERMISSION OF FLEXHOPPER PLASTICS LTD IS PROHIBITED.

Down Spouts & Drillfills

