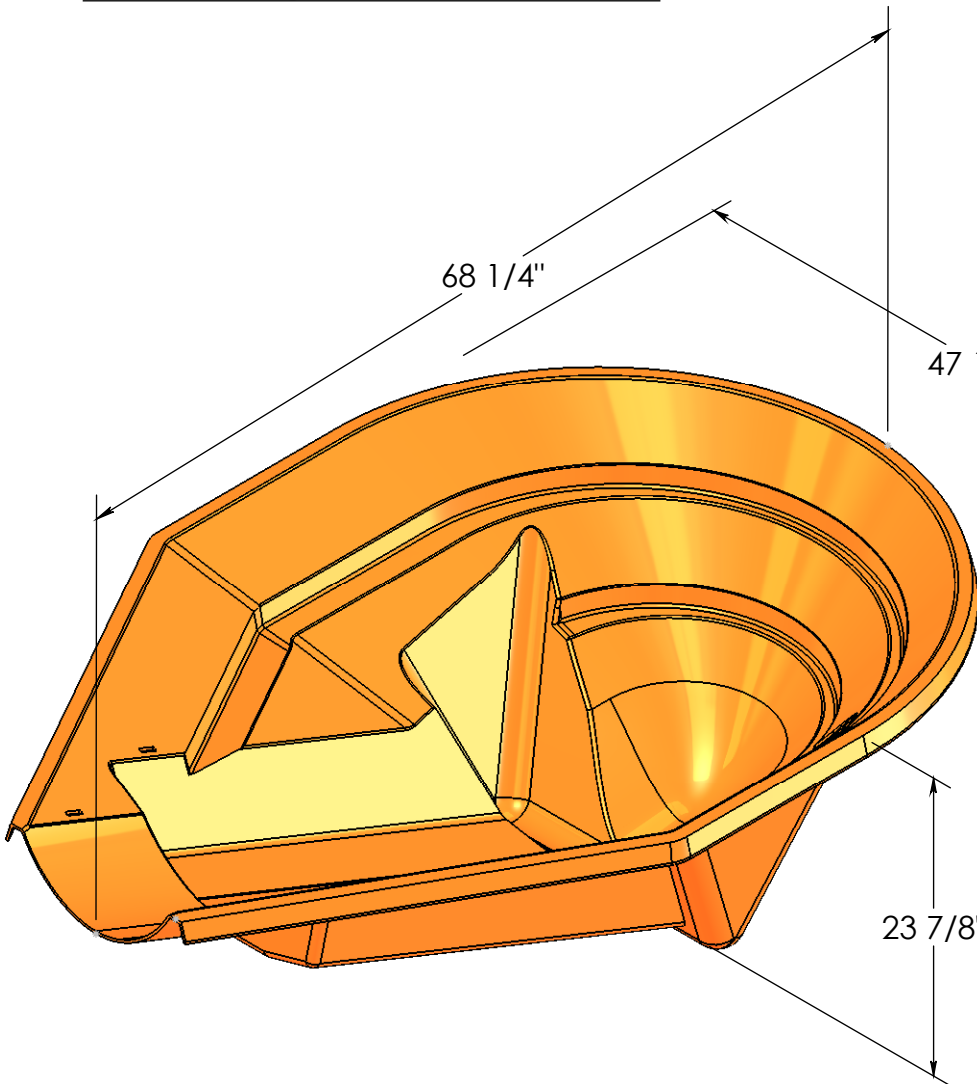
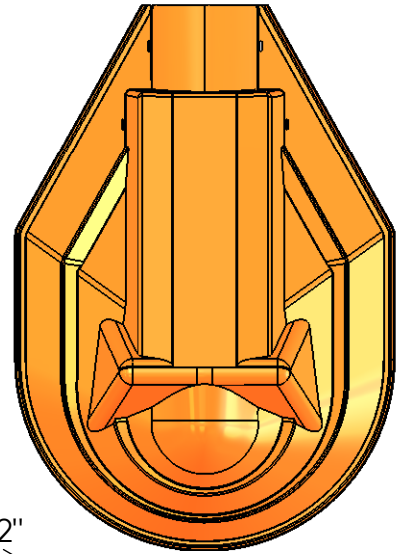


13" Agri-Hopper



US Patent #7,578,562
CDN Patent #2,550,414

Shrinkage: 3% / All dimensions are $\pm 1"$



FLEXAHOPPER PLASTICS LTD

2530 39th ST N, Lethbridge Alberta CANADA T1H 5J2
Toll Free: 888-328-8176 Tel: 403-328-8146 Fax: 403-328-8476
Email: email@flexahopper.com
www.flexahopper.com