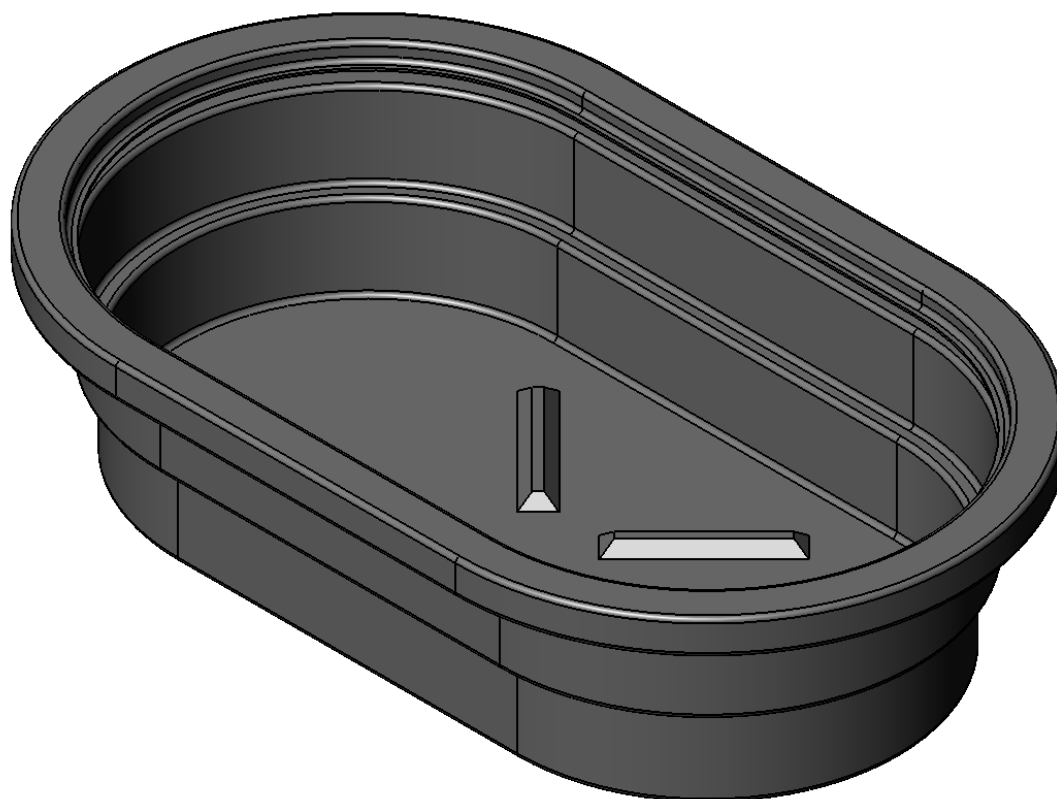
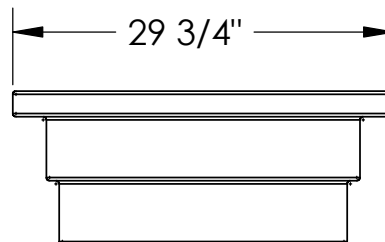
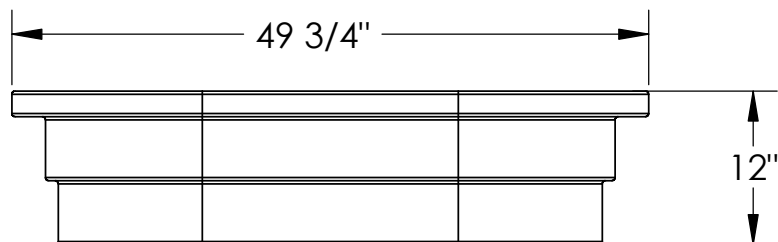


# 30 Imp. Gal. Water Trough

REV.  
P0



Imp Gal	30
Litres	137
US Gal	36



2530-39th Street N.  
Lethbridge, AB T1H 5J2

**FLEXAHOPPER PLASTICS LTD**

Shrinkage: 3% / All dimensions are  $\pm 1$