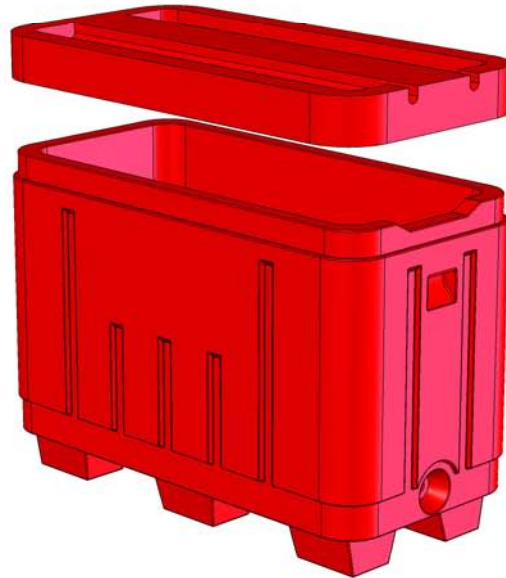
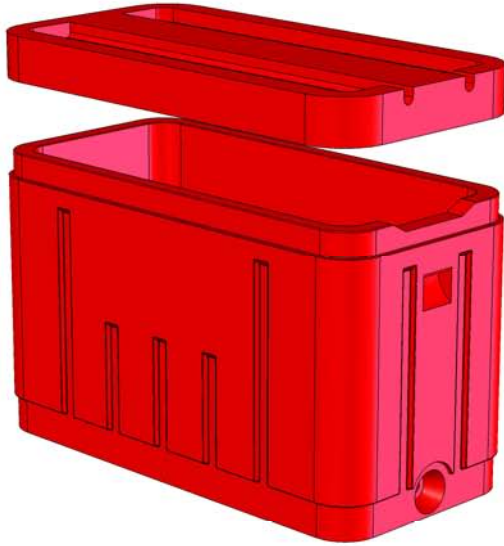




Live Crab Tote Insul 12

Insul•Tainer™



Dimensions

OD: 48" x 24" x 32 3/4" (28 1/2")
ID: 43 1/2" x 20" x 27"

Capacity:

12 cu-ft / 76 Imp Gal
91 US Gal / 345 Liters

- Largest Capacity Half-Tote in Industry
- Full Length 2-Position UHMW Wear Strips
- Proprietary Color
- Name Plates
- Food Grade Gov't Approved Polyethylene Material
- CFC Free Foam R18+ Insulation
- Deep Side Overlap Lids do not require Tie Downs
- Stacks With or Without Cover
- Optional Lifting Hooks
- Removable Circulating Tube Available for Live Haul
- Available With or Without Drains
- Custom Accessories Available

MANUFACTURED BY:

FLEXAHOPPER PLASTICS LTD.

2530-39 STREET N
LETHBRIDGE, ALBERTA
CANADA T1H 5J2
PHONE: (403) 328-8146
FAX: (403) 328-8476
Web Site: www.flexahopper.com
Email: info@flexahopper.com