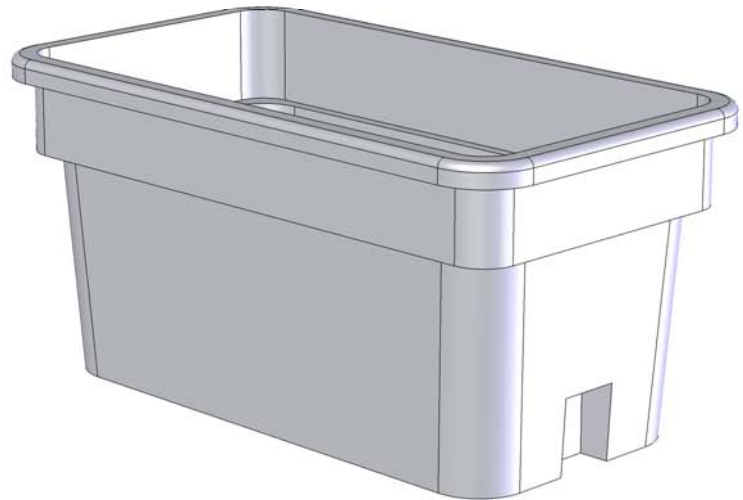




**FLEXAHOPPER PLASTICS LTD**

# Live Crab Tote

---



- Single Wall Design for Ease of Handling
- Aluminum Rail Under Lip for Slinging
- Stacks With Lid / Nests Without
- Ideal for On-Board Storage
- Optional Colors & Name Plates Available
- Circulating Tube Available For Live Haul

## Dimensions

OD: 42" x 24" x 21"(h)  
With Lid

---

## MANUFACTURED BY:

### FLEXAHOPPER PLASTICS LTD.

2530-39 STREET N  
LETHBRIDGE, ALBERTA  
CANADA T1H 5J2  
PHONE: (403) 328-8146  
FAX: (403) 328-8476  
Web Site: [www.flexahopper.com](http://www.flexahopper.com)  
Email: [info@flexahopper.com](mailto:info@flexahopper.com)

PRINTED IN CANADA