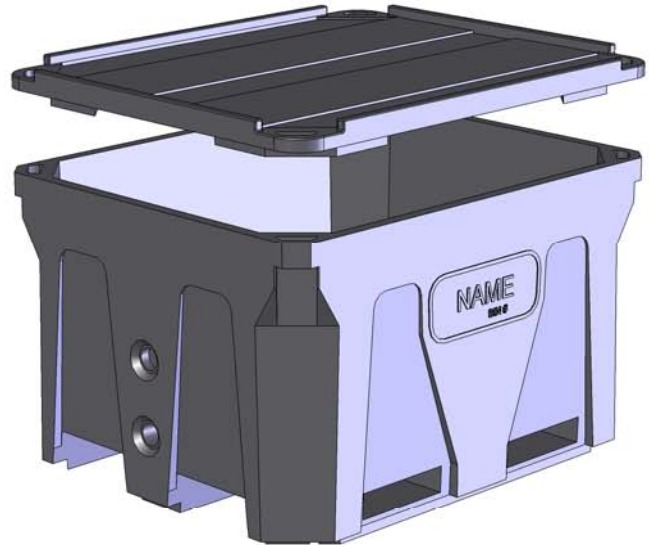


- Full Length 3-Position UHMW Wear Strips
- Proprietary Color
- Reinforced Fork Entry Slots for Full Rotation
- Name Plate on Two Sides
- Food Grade Gov't Approved Polyethylene Material
- CFC Free Foam R9 Insulation
- 3 For 2 Stacking When Empty
- 8 Leg Position Positive Lock For Safe Transport
- Stacks With or Without Lid
- Available With or Without Drains
- Custom Accessories Available



Dimensions

OD: 48 1/4" x 40 1/4" x 29 3/4"

ID: 46 1/4" x 38 1/4" x 23"

Capacity:

22 cu-ft / 137 Imp Gal

164 US Gal / 622 Liters

MANUFACTURED BY:

FLEXAHOPPER PLASTICS LTD.

2530-39 STREET N
LETHBRIDGE, ALBERTA
CANADA T1H 5J2
PHONE: (403) 328-8146
FAX: (403) 328-8476
Web Site: www.flexahopper.com
Email: info@flexahopper.com