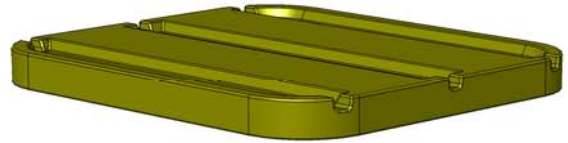


- Full Length 3-Position UHMW Wear Strips
- Proprietary Color
- Reinforced Fork Entry Slots for Full Rotation
- Name Plate on Two Sides
- Tare Wt. and Bin NO. On Two Sides
- Food Grade Gov't Approved Polyethylene Material
- CFC Free Foam R18+ Insulation
- Deep Side Overlap Lids do not require Tie Downs
- 3 For 2 Stacking When Empty
- Stacks With or Without Cover
- Stacks 3 High With/Without Lids in refrigerated Van
- Available With or Without Drains
- Custom Accessories Available



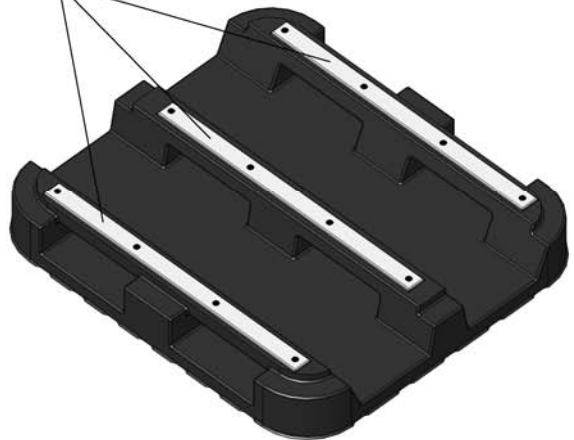
### Dimensions

OD: 48 3/4" x 43 1/2" x 34"  
ID: 43 1/2" x 38 1/2" x 24 1/2"

### Capacity:

22.6 cu-ft / 140 Imp Gal  
168 US Gal / 638 Liters

UHMW  
WEAR PADS



### MANUFACTURED BY:

### FLEXAHOPPER PLASTICS LTD.

2530-39 STREET N  
LETHBRIDGE, ALBERTA  
CANADA T1H 5J2  
PHONE: (403) 328-8146  
FAX: (403) 328-8476  
Web Site: [www.flexahopper.com](http://www.flexahopper.com)  
Email: [info@flexahopper.com](mailto:info@flexahopper.com)