

R1-Insul 23

Insul•Tainer™

- Full Length 5-Position UHMW Wear Strips
- Proprietary Color
- Reinforced Fork Entry Slots for Full Rotation
- Name Plate on Two Sides
- Tare Wt. and Bin NO. On Two Sides
- Food Grade Gov't Approved Polyethylene Material
- CFC Free Foam R18+ Insulation
- Deep Side Overlap Lids do not require Tie Downs
- 3 For 2 Stacking When Empty
- Stacks With or Without Cover
- Available With or Without Drains
- Custom Accessories Available



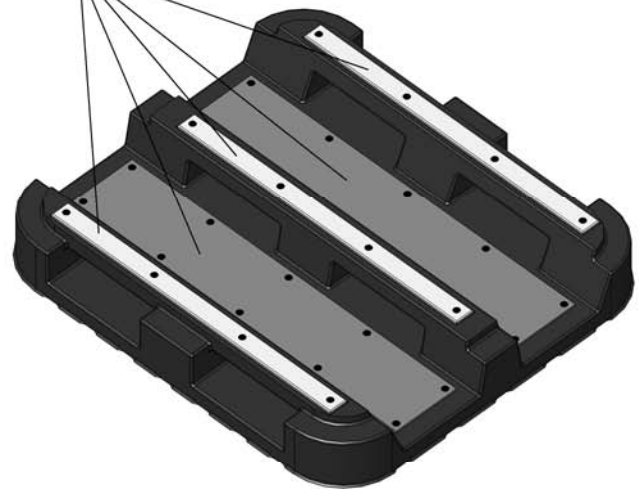
Dimensions

OD: 48 3/4" x 43 1/2" x 35 1/2"
ID: 43 1/2" x 38 1/2" x 26"

Capacity:

25.7 cu-ft / 160 Imp Gal
192 US Gal / 730 Liters

UHMW
WEAR PADS



MANUFACTURED BY:

FLEXAHOPPER PLASTICS LTD.

2530-39 STREET N
LETHBRIDGE, ALBERTA
CANADA T1H 5J2
PHONE: (403) 328-8146
FAX: (403) 328-8476
Web Site: www.flexahopper.com
Email: info@flexahopper.com