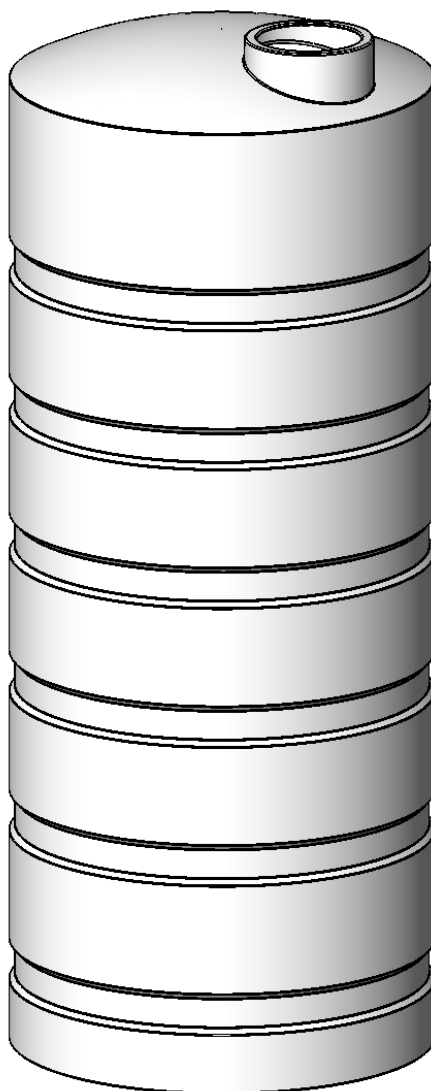
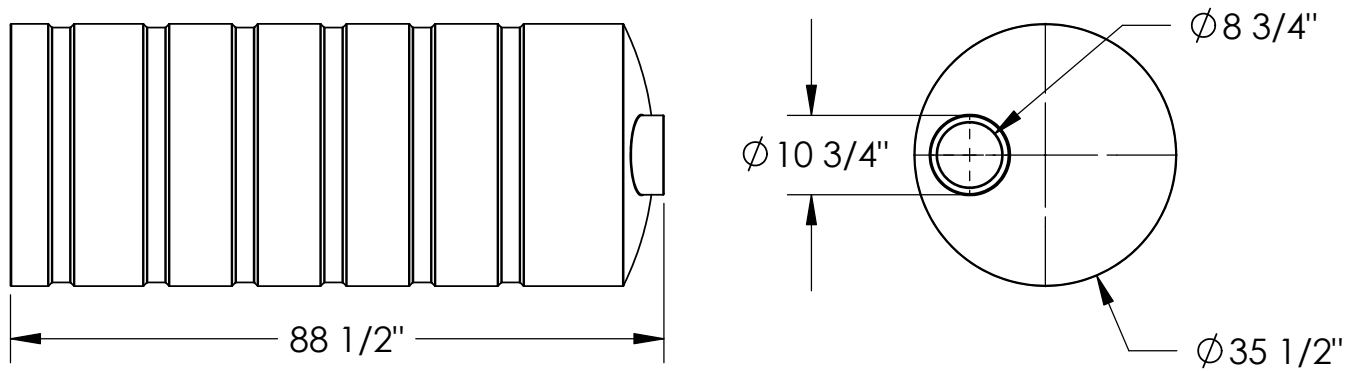


# 300 Imp. Gal. Vertical Tank

REV.  
P0



<b>Imp Gal</b>	300
<b>Litres</b>	1365
<b>US Gal</b>	360



2530-39th Street N.  
Lethbridge, AB T1H 5J2

**FLEXAHOPPER PLASTICS LTD**

Shrinkage: 3% / All dimensions are  $\pm 1$