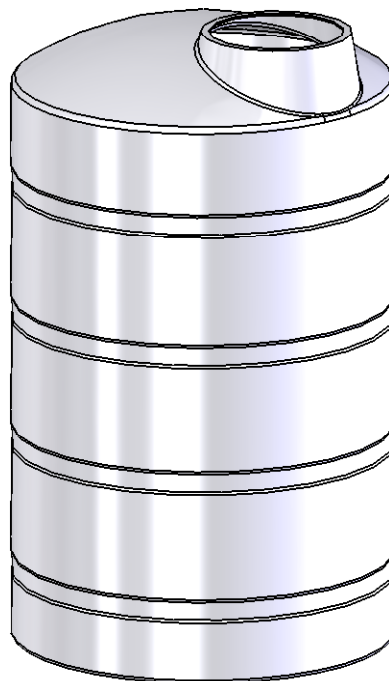
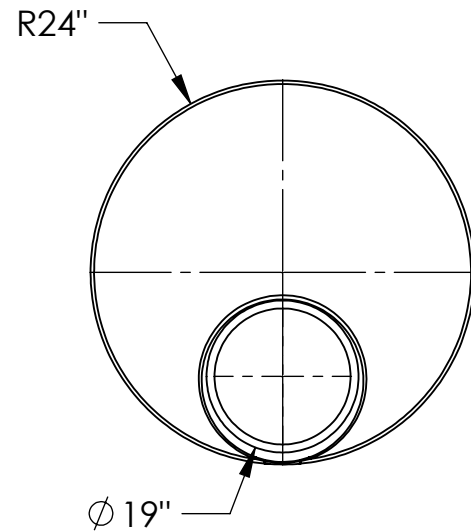
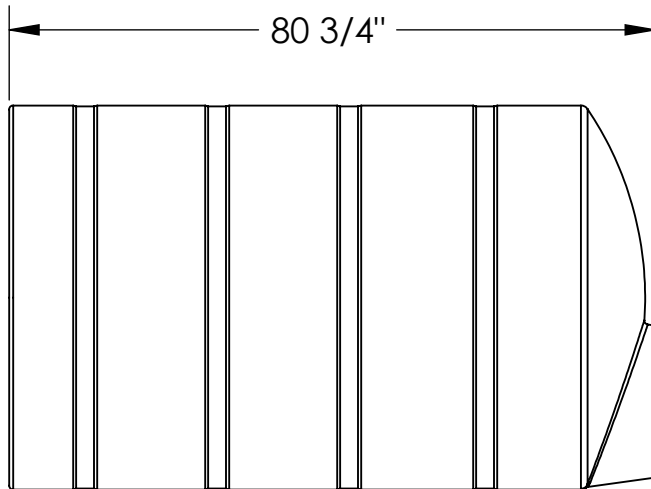


# 500N IMP GAL VCT

REV.

P0



<b>Imp Gal</b>	500
<b>Litres</b>	2275
<b>US Gal</b>	600

Shrinkage: 3% / All dimensions are ±1



2530-39th Street N.  
Lethbridge, AB T1H 5J2

**FLEXAHOPPER PLASTICS LTD**