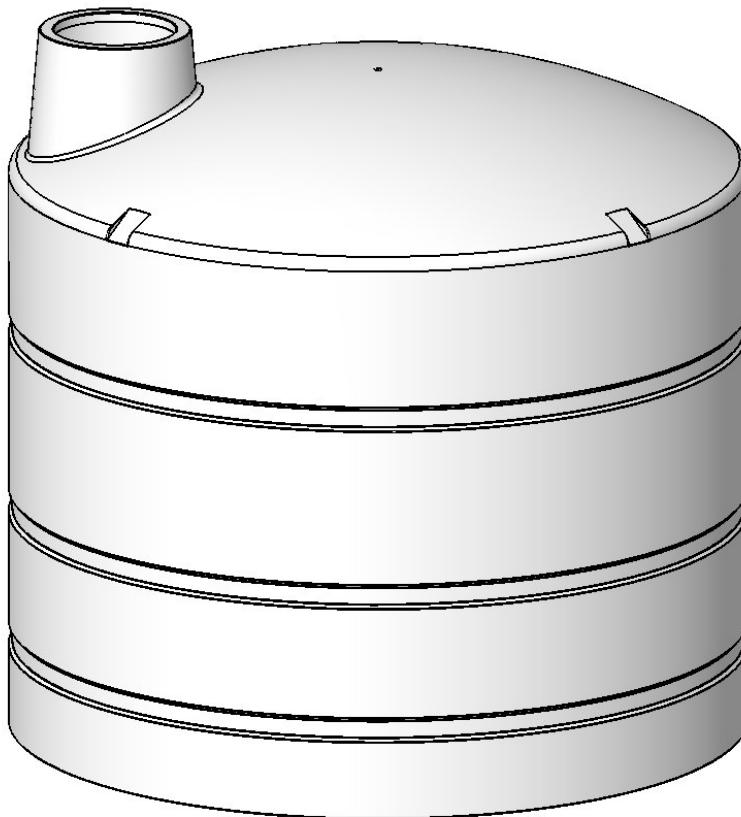
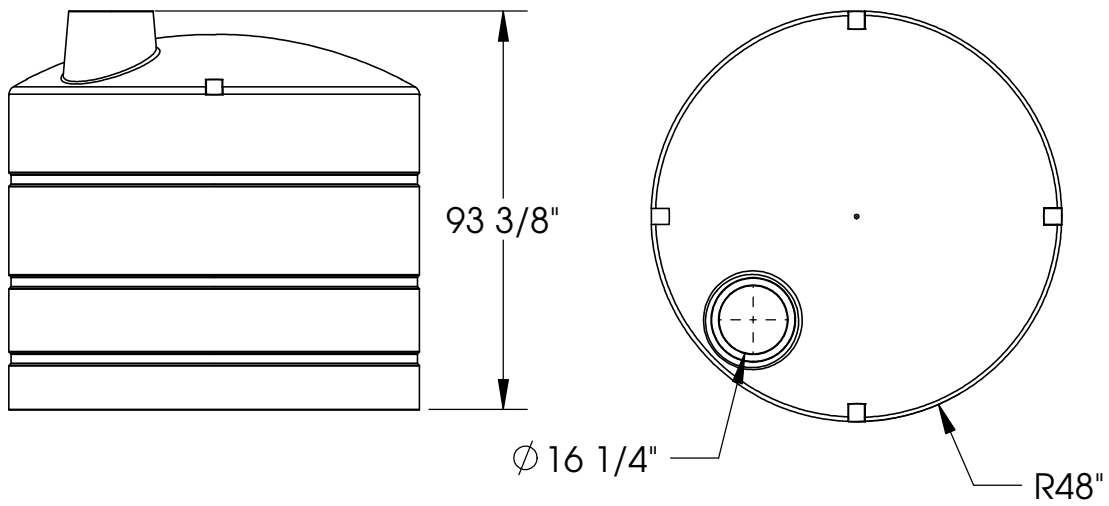


2000 Imp. Gal VCT

REV.
P0



| | |
|----------------|------|
| Imp Gal | 2000 |
| Litres | 9100 |
| US Gal | 2403 |

Shrinkage: 3% / All dimensions are ±1



2530-39th Street N.
Lethbridge, AB T1H 5J2

FLEXAHOPPER PLASTICS LTD