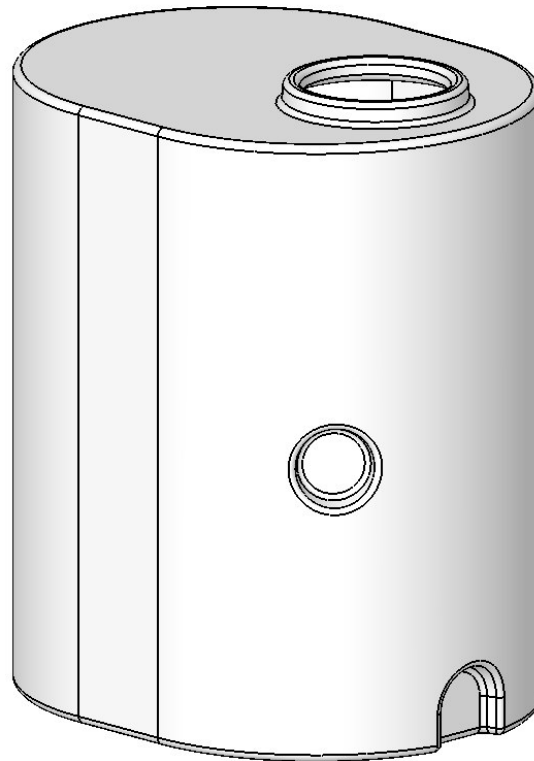
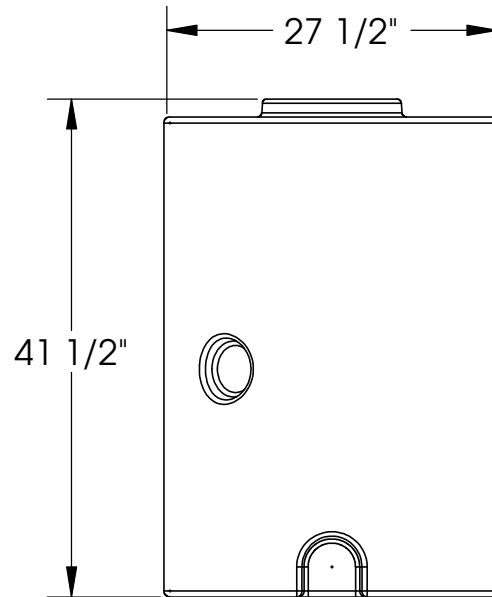
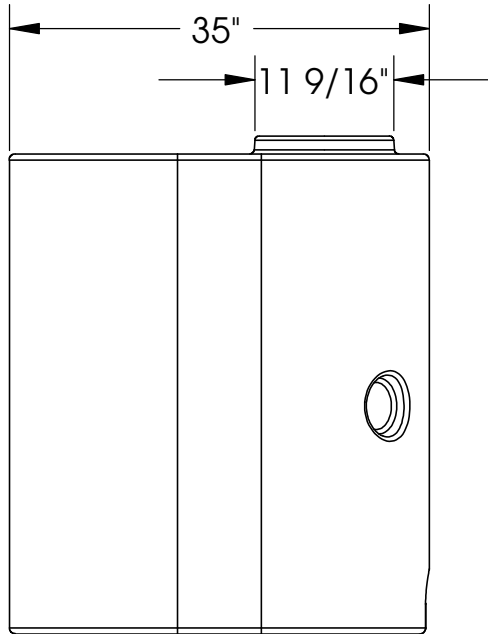


100 Gal Vertical Oval Tank

REV.
P0



Imp Gal	100
Litres	455
US Gal	120

Shrinkage: 3% / All dimensions are ± 1



2530-39th Street N.
Lethbridge, AB T1H 5J2

FLEXAHOOPER PLASTICS LTD