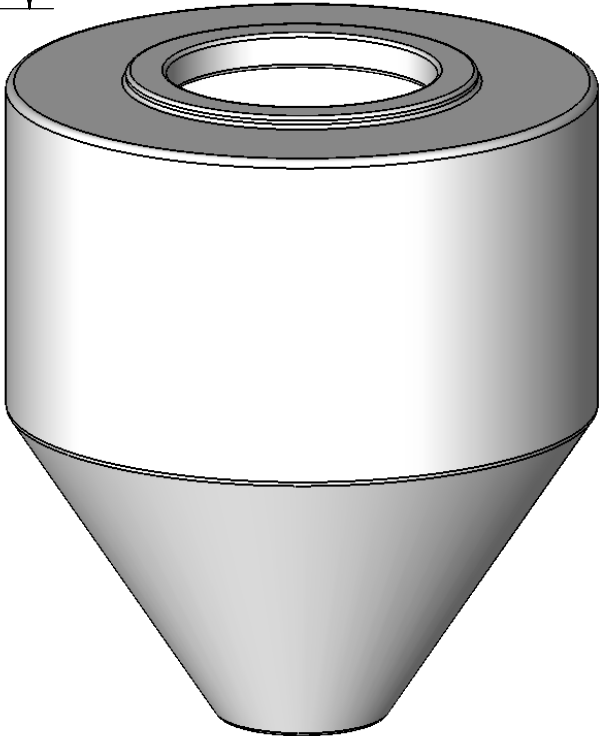
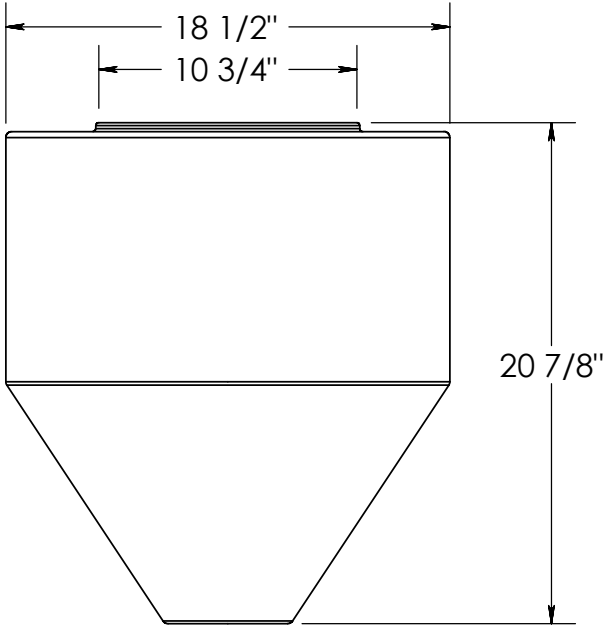


14 Gal Mixer Tank



Imp Gal	13
Litres	60
US Gal	15

Shrinkage: 3% / All dimensions are ±1



FLEXAHOPPER PLASTICS LTD

2530 39th ST N, Lethbridge Alberta CANADA T1H 5J2
 Tol Free: 888-328-8176 Tel: 403-328-8146 Fax: 403-328-8476
 Email: email@flexahopper.com
www.flexahopper.com