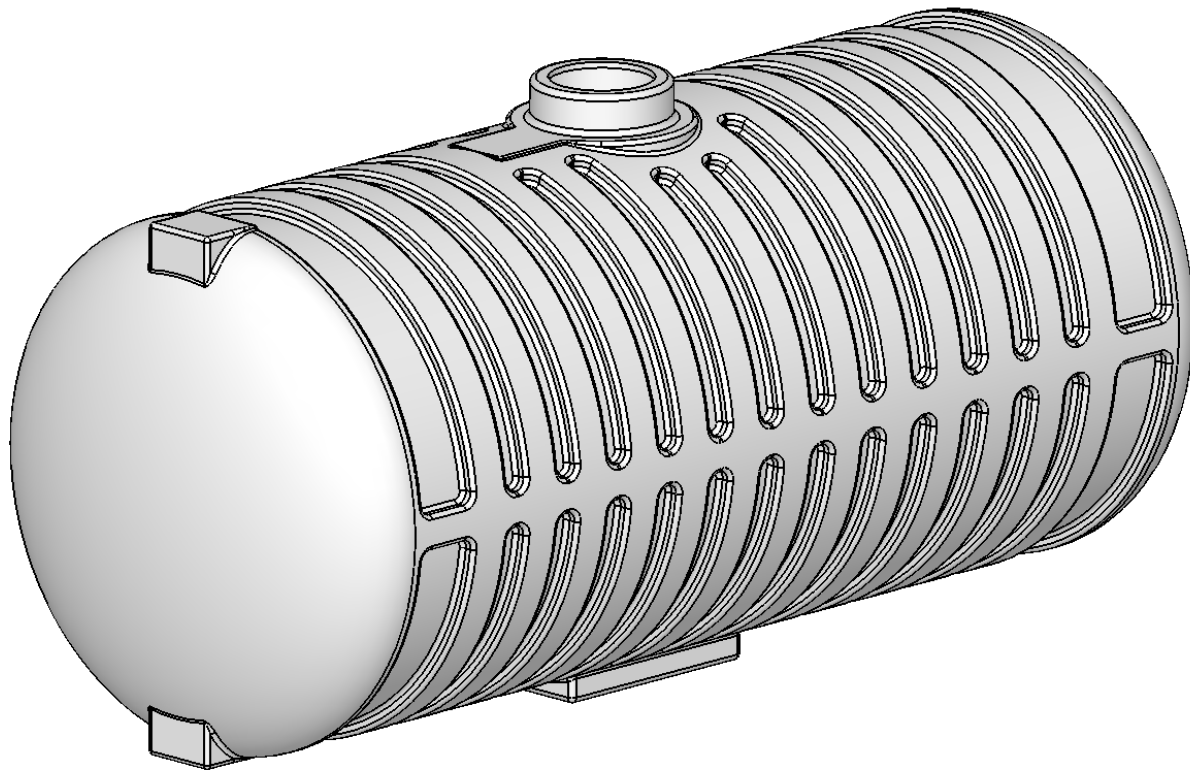
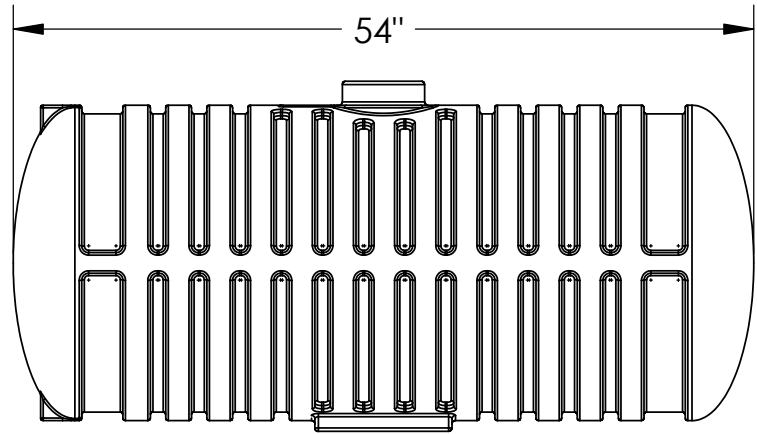
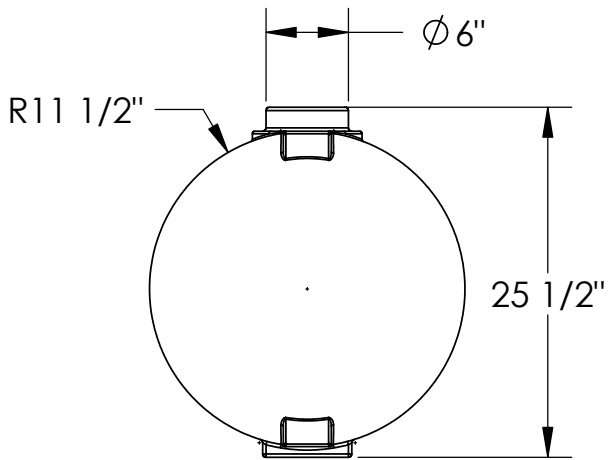


# 70 Gal Sprayer Tank

REV.  
P0



|         |     |
|---------|-----|
| Imp Gal | 70  |
| Litres  | 319 |
| US Gal  | 84  |

Shrinkage: 3% / All dimensions are  $\pm 1$



2530-39th Street N.  
Lethbridge, AB T1H 5J2

**FLEXAHOPPER PLASTICS LTD**