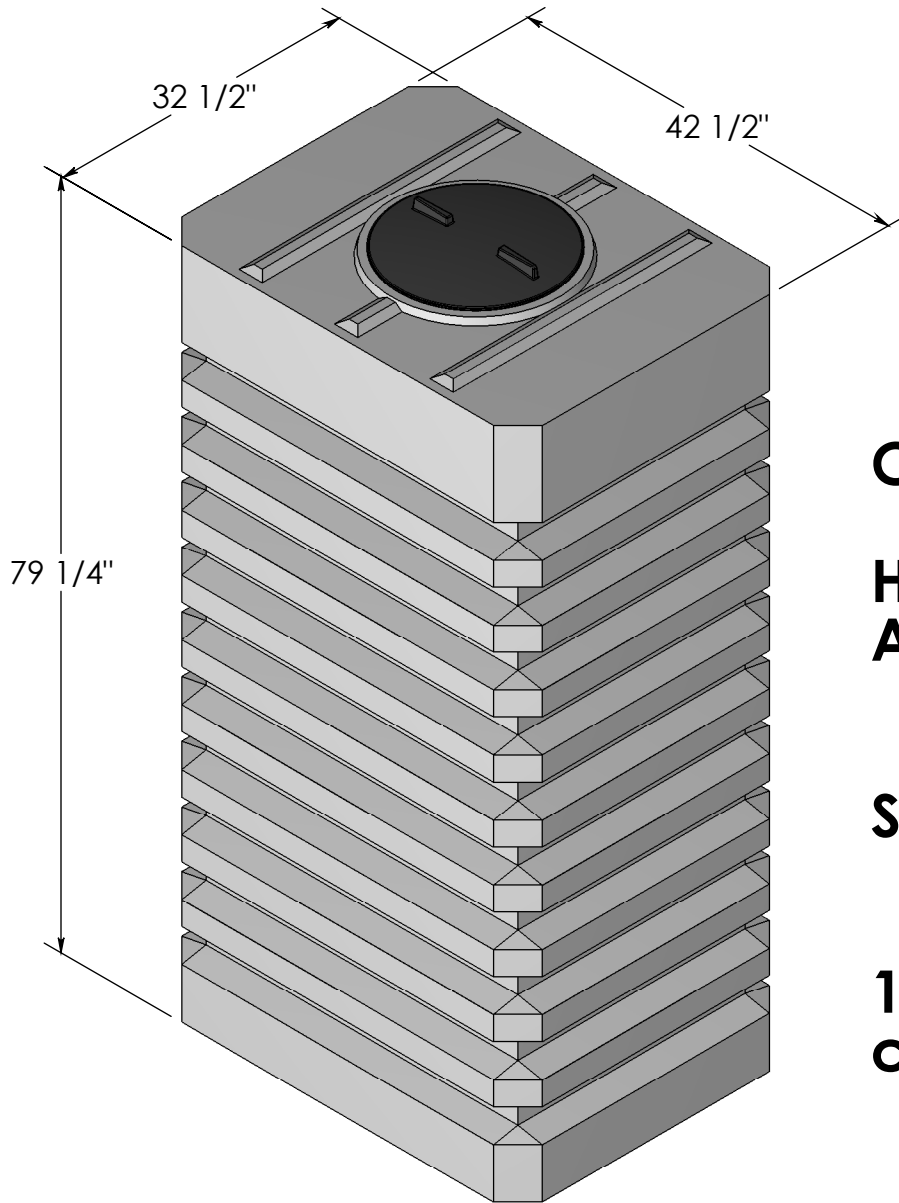


VSQ 333

Portable Camp Water Tank



CSA Certified

**HPB/FDA/NSF 61
Approved Material**

Self Supporting

**15" Manway for
cleaning access**

In mold fittings

Imp Gal	333
Litres	1512
US Gal	400



FLEXAHOPPER PLASTICS LTD

2530 39th ST N, Lethbridge Alberta CANADA T1H 5J2
Toll Free: 888-328-8176 Tel: 403-328-8146 Fax: 403-328-8476
Email: info@flexahopper.com
www.flexahopper.com

Due to shrinkage, all dimensions are $\pm 2\%$