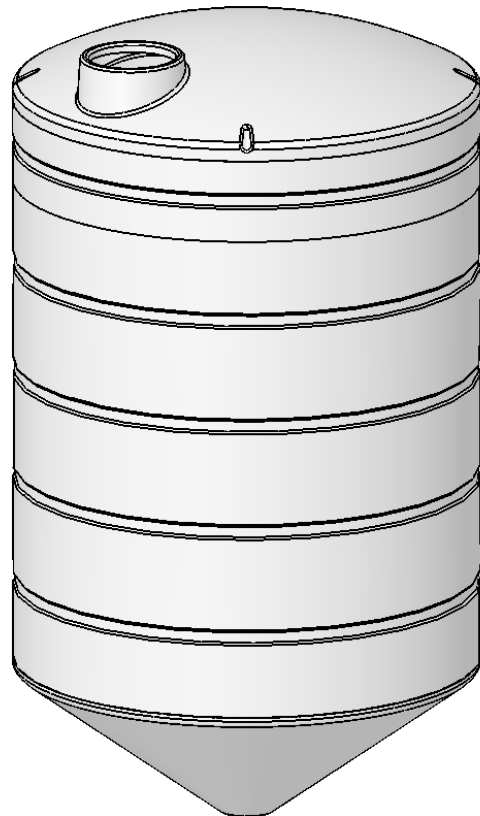
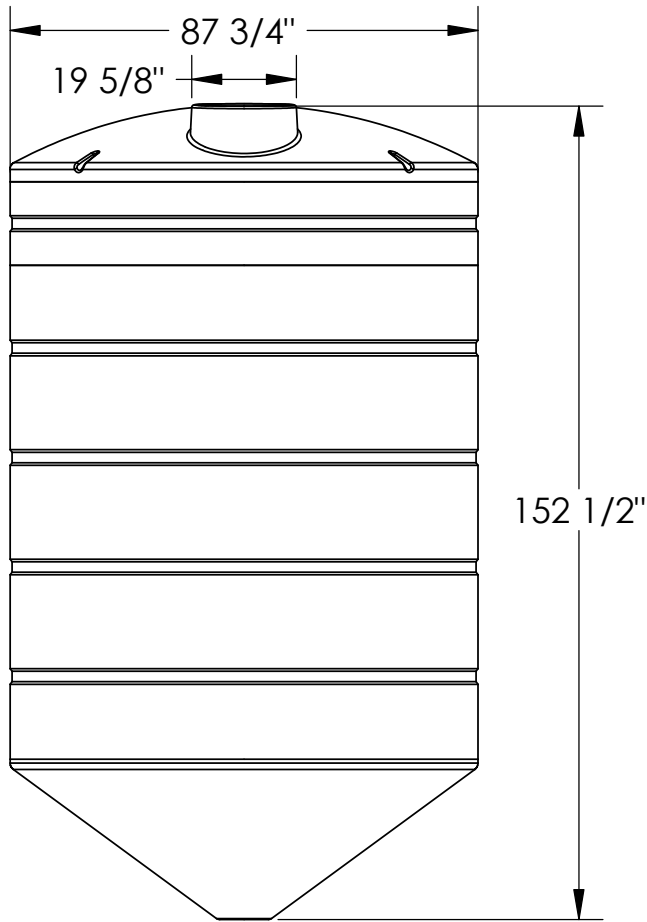


2750 IMP GAL CONE BOTTOM TANK

REV.
P0



Imp Gal	0000
Litres	0000
US Gal	0000

Shrinkage: 3% / All dimensions are ±1



2530-39th Street N.
Lethbridge, AB T1H 5J2

FLEXAHOPPER PLASTICS LTD