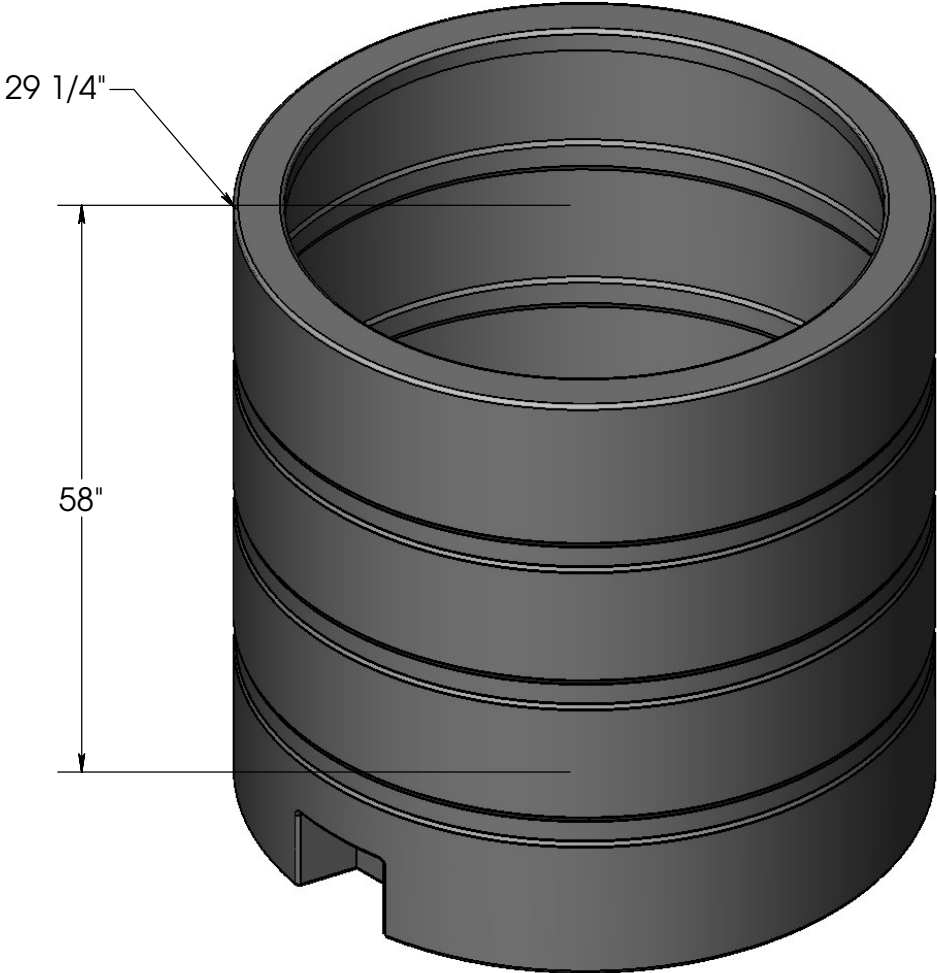


500 Gal Open Top Tank



Imp Gal	500
Litres	2273
US Gal	600



FLEXAHOPPER PLASTICS LTD
 2530 39th ST N, Lethbridge Alberta CANADA T1H 5J2
 Toll Free: 888-328-8176 Tel: 403-328-8146 Fax: 403-328-8476
 Email: email@flexahopper.com
 www.flexahopper.com

Shrinkage: 3% / All dimensions are ±1