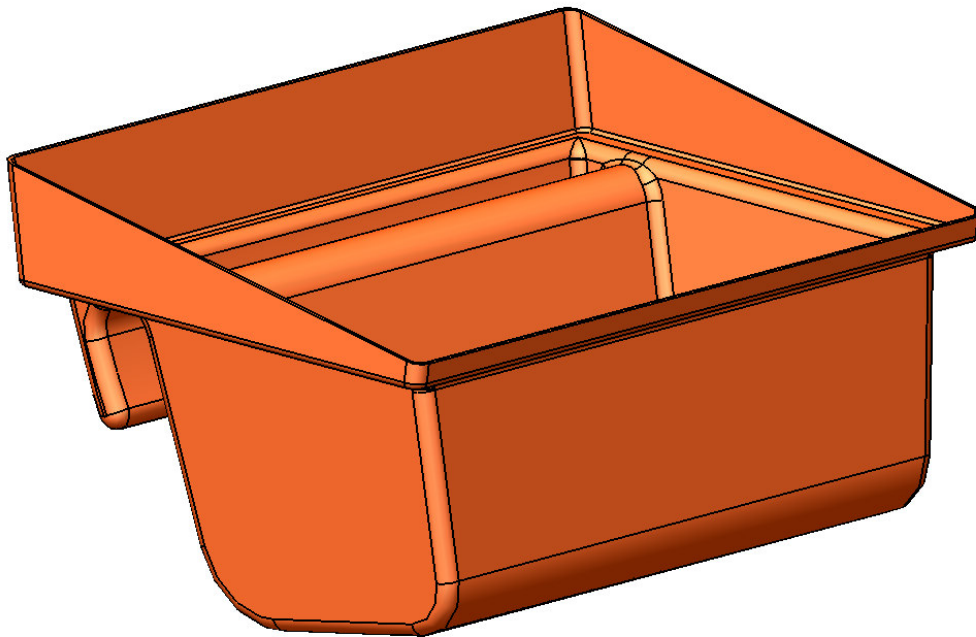
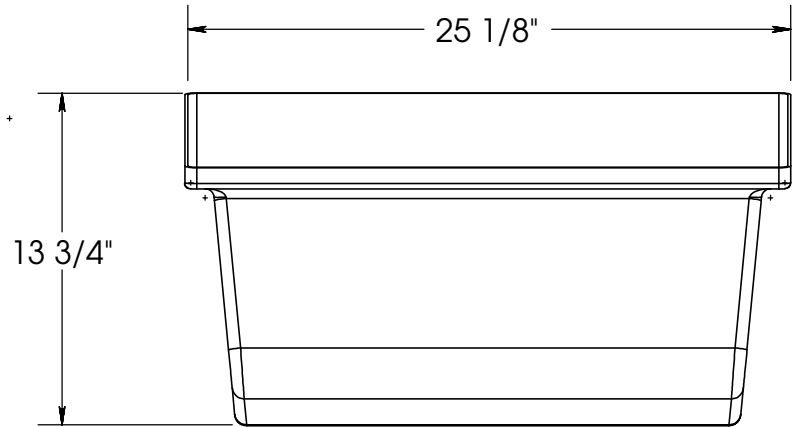
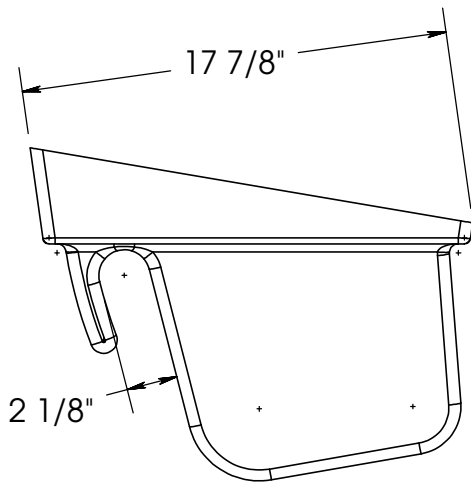


# Fenceline Feeder



Shrinkage: 3% / All dimensions are  $\pm 1"$



**FLEXAHOPPER PLASTICS LTD**

2530 39th ST N, Lethbridge Alberta CANADA T1H 5J2  
Toll Free: 888-328-8176 Tel: 403-328-8146 Fax: 403-328-8476  
Email: [email@flexahopper.com](mailto:email@flexahopper.com)  
[www.flexahopper.com](http://www.flexahopper.com)