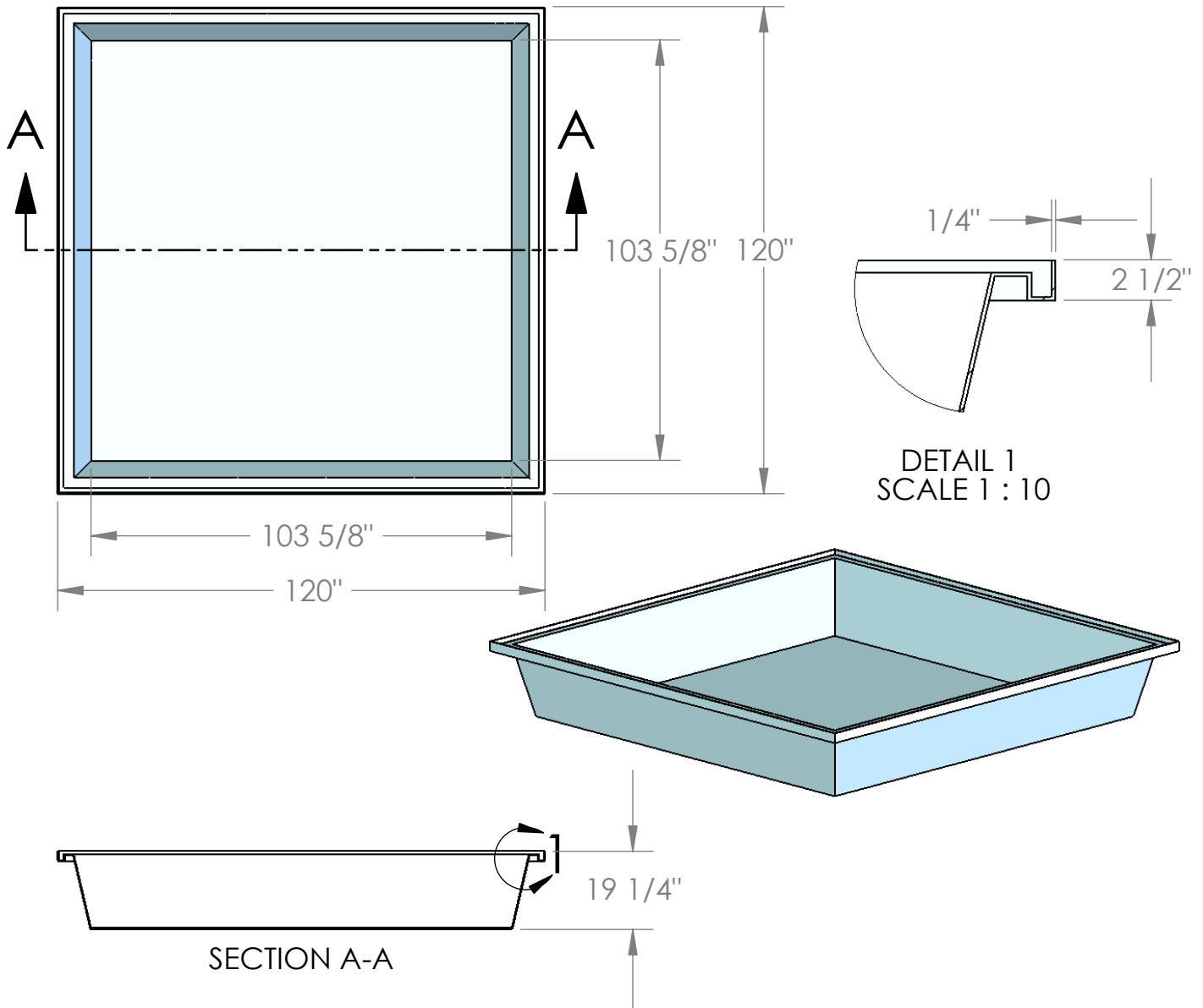




# 950 Gal Spill Tray



Manufactured By

Flexahopper Plastics Ltd  
2530 39th St N. Lethbridge Alberta  
CANADA T1H 5J2  
Toll Free: 888-328 -8176  
Tel: 403-328-8146  
Fax 403-328-8476  
E Mail: [email@flexahopper.com](mailto:email@flexahopper.com)  
[www.flexahopper.com](http://www.flexahopper.com)